

Chelsea® 870 Series

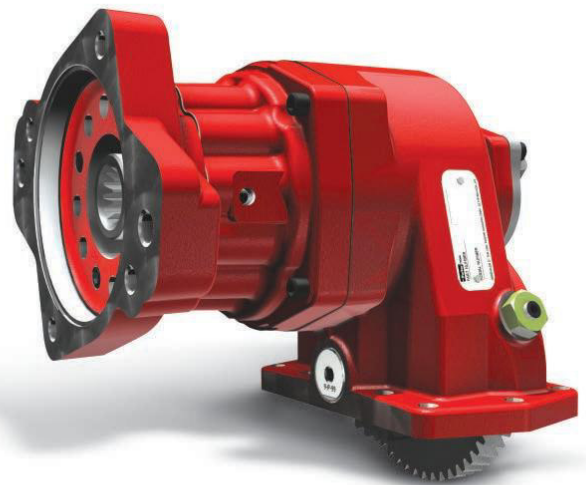
Ten Bolt PowerShift PTO



Overview:

Power density is what you will find in the Chelsea 870 Series PTO. The 870 Series has a 10-Bolt mounting pattern that will fit on today's popular automatic transmissions. Its compact housing eliminates clearance issues. Two assembly arrangements to maximize your installation possibilities. High capacity bearings and superior gear designs provide you with torque ratings up to 670 lbs-ft for ultimate performance. There is no need to de-rate the PTO for continuous duty applications. A single hose is required for a simplified installation. Our popular Electronic Overspeed Control (EOC) is also available to protect your driven equipment. Multiple gear ratios provide a wide variety of speeds to meet a variety of application requirements. Direct mount pump flange options are available with our Wet Spline design to increase PTO and pump shaft life. Versatility, power, ease of maintenance and installation make the 870 Series the only choice for your vocational truck requirements.

- Fire & Rescue
- Refuse
- Vacuum
- Oil & Gas
- Snow & Ice



Contact Information:

Parker Hannifin Corporation
Chelsea Products Europe
Building 93, Vantage Point
Kingswinford, DY6 7FR
GROSSBRITANNIEN

Phone: +44 (0) 1384 282777

Fax: +44 (0) 1384 401851

chelseacustserv@parker.com

www.parker.com/chelsea

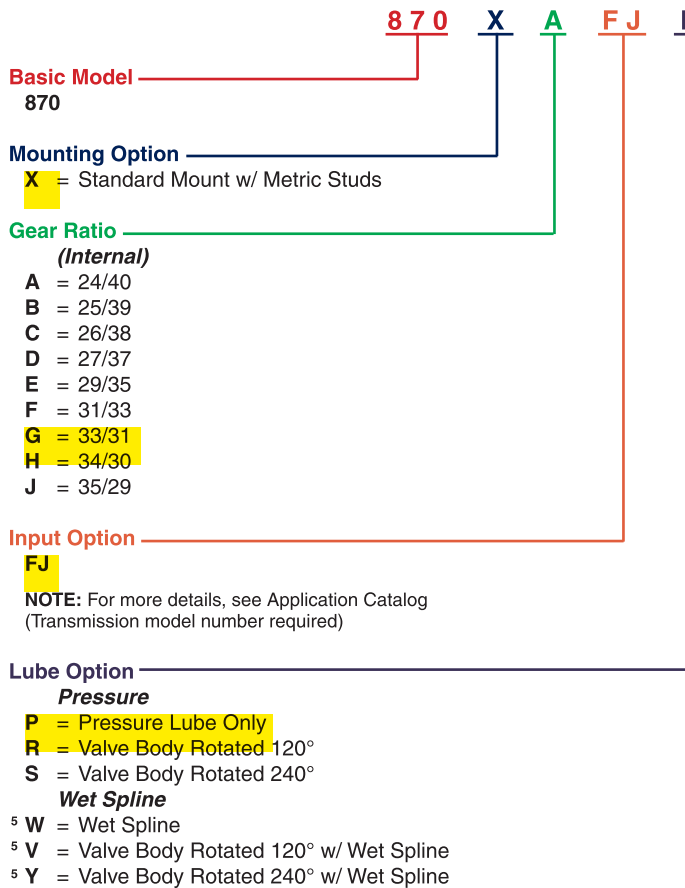
Product Features and Benefits:

- **Power** – Torque capacity up to 670 lbs-ft / 908 Nm.
- **Compact** – Housing height reduces clearance issues.
- **Quiet** – Quiet Gear™ input option available.
- **Smart Start** – Option available to reduce shock load at start-up for certain applications.
- **Insurance** – Electronic Overspeed Control (EOC) protects driven equipment.
- **Speeds** – Nine speed ratios.
- **Outputs** – Thirteen output options.
- **Protection** – Wet Spline pump flange extends PTO and pump shaft life.



ENGINEERING YOUR SUCCESS.

870 SERIES POWER TAKE-OFF SPECIFICATIONS AND TECHNICAL DATA



Basic Model
870

Mounting Option
X = Standard Mount w/ Metric Studs

Gear Ratio
(Internal)
A = 24/40
B = 25/39
C = 26/38
D = 27/37
E = 29/35
F = 31/33
G = 33/31
H = 34/30
J = 35/29

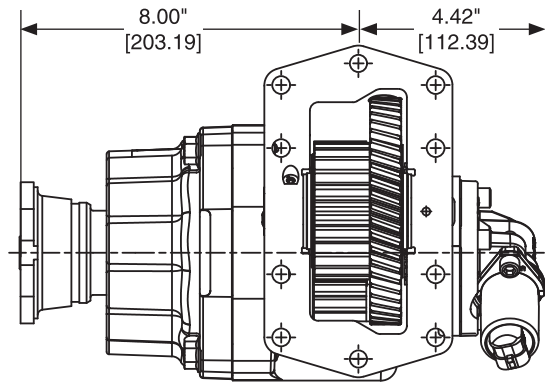
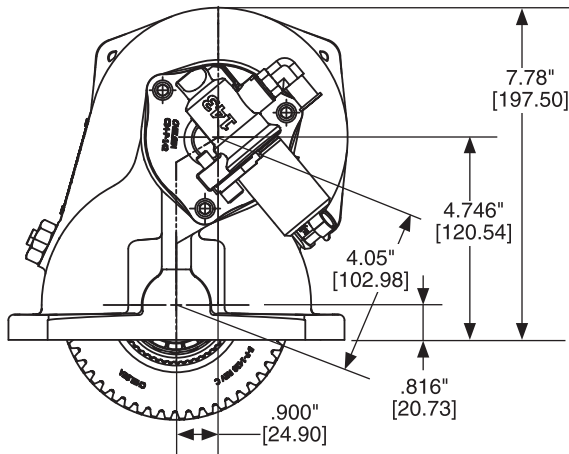
Input Option
FJ
NOTE: For more details, see Application Catalog (Transmission model number required)

Lube Option
Pressure
P = Pressure Lube Only
R = Valve Body Rotated 120°
S = Valve Body Rotated 240°
Wet Spline
⁵ **W** = Wet Spline
⁵ **V** = Valve Body Rotated 120° w/ Wet Spline
⁵ **Y** = Valve Body Rotated 240° w/ Wet Spline

Output Option
Driveline Output
XV = 1410 Series Companion Flange
AB = DIN 120 Flange
AC = DIN 100 Flange
BB = Shaft Brake - DIN 120 Flange
BC = Shaft Brake - DIN 100 Flange
BV = Shaft Brake - 1410 Series Companion Flange
SB = Smart Start - DIN 120 Flange
SC = Smart Start - DIN 100 Flange
SV = Smart Start - 1410 Series Companion Flange
Pump Mount
⁴⁷ **RF** = Rotatable SAE B 2 or 4-Bolt Flange, SAE BB Shaft (1" - 15T)
⁴⁷ **RK** = Rotatable SAE B 2 or 4-Bolt Flange, SAE B Shaft (7/8" - 13T)
⁴⁷ **RZ** = Rotatable SAE B 2 or 4-Bolt Flange, SAE C Shaft (1-1/4" - 14T)
⁴⁷ **RS** = Rotatable SAE C 2 or 4-Bolt Flange, SAE C (1-1/4" - 14T)
⁴⁷ **RY** = Rotatable ISO 7653 Pump Mount, DIN 5462 Shaft

Assembly Arrangement
3 = Right side - bulge down
Left side - bulge up
5 = Left side - bulge down
Right side - bulge up

Shift Option
B = 12V Elec/Hyd
D = 24V Elec/Hyd
E = 12V Elec/Hyd w/o Installation Kit
N = 24V Elec/Hyd w/o Installation Kit
K = 12V Elec/Hyd w/ EOC
L = 24V Elec/Hyd w/ EOC
G = 12V Elec/Hyd Valve w/o EOC - Remote
H = 24V Elec/Hyd Valve w/o EOC - Remote



Specifications Chart

Approximate Weight: 56 lbs. [25 kg]

	870*A	870*B	870*C	870*D	870*E	870*F	870*G	870*H	870*J
Continuous Torque Rating (lbs-ft) [Nm]	670 [908]	630 [854]	590 [800]	550 [746]	485 [658]	430 [583]	380 [515]	355 [481]	335 [454]
HP Rating for Continuous Duty									
At 500 RPM of Output Shaft (HP) [Kw]	64 [48]	60 [45]	56 [42]	52 [39]	46 [35]	41 [31]	36 [27]	34 [25]	32 [24]
At 1000 RPM of Output Shaft (HP) [Kw]	128 [95]	120 [90]	112 [84]	105 [78]	92 [69]	82 [61]	72 [54]	68 [51]	64 [48]